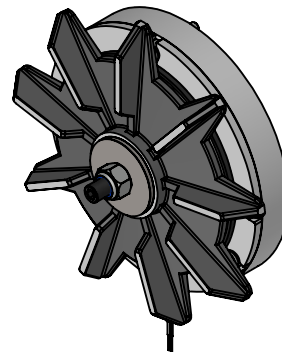
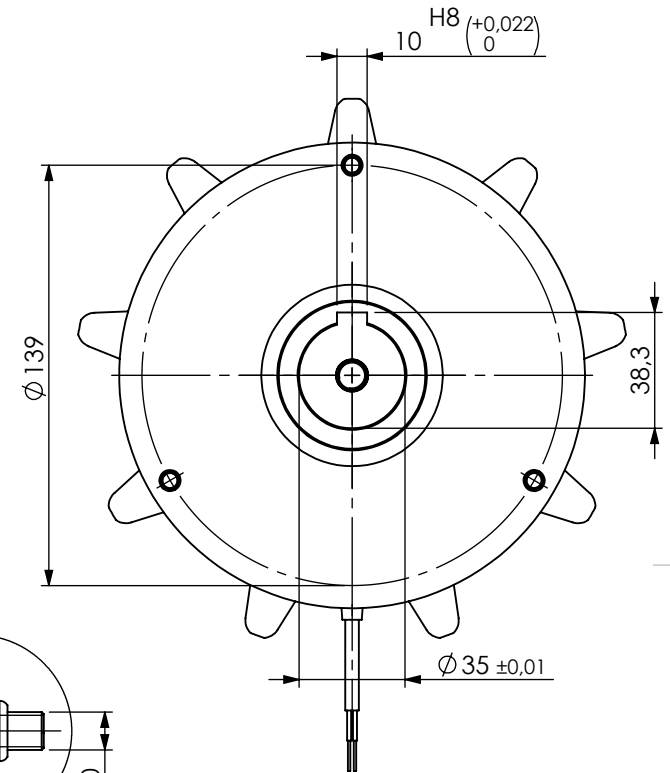


SECTION A-A
SCALE 1 : 2.5

DETTAGLIO B 15 min.



CHEMICAL TREATMENT:		TERMICAL TREATMENT:		This drawing replaces all previous revisions REV.: 17/03/2022 11:00:40							
CHARACTERISTICS DEFINITION:		GENERAL TOLERANCES ACCORDING TO: UNI -EN 22768-cK		GENERAL Ra: 6.3 (▽); 3.2 (▽); 1.6 (▽); 0.8 (▽) RETIFICA							
<table border="1"> <thead> <tr> <th>SYMBOL</th> <th>DEFINITION</th> </tr> </thead> <tbody> <tr> <td></td> <td>CRITICAL DIMENSION QUALITY CONTROL BALOON</td> </tr> <tr> <td></td> <td>STANDARD DIMENSION QUALITY CONTROL BALOON</td> </tr> </tbody> </table>		SYMBOL	DEFINITION		CRITICAL DIMENSION QUALITY CONTROL BALOON		STANDARD DIMENSION QUALITY CONTROL BALOON	NON DIMENSIONED EDGES: 0,2x45° DRAWING NAME: <h2>S112 Brake Group</h2>			
SYMBOL	DEFINITION										
	CRITICAL DIMENSION QUALITY CONTROL BALOON										
	STANDARD DIMENSION QUALITY CONTROL BALOON										
MATERIAL:		Temporiti srl Via Mattei, 8 - 20010 Mesero (MI) tel. 02 9787331 - fax 02 97289574									
PESO: g		DRAWN BY:		CHECKED BY: /							
		SCALE: 1:2		PAGE 1 di 1							